

AtmosAir Matterhorn 1002



SPECIFICATIONS

Air Flow Capacity.....up to 5000 CFM*
 Pressure Drop.....minimum (see Fig. 1)
 Housing Material.....Flame-rated, High Impact Strength ABS
 Weight.....6 pounds
 Maximum Operation Temperature.....200° F (60° C)

ELECTRICAL

Voltage.....115 or 230 VAC
 Frequency.....60 Hz
 Power Consumption.....5 watts
 Current Draw.....0.2-0.3 amps
 Internal Fuse.....1.0 amp
 Field Electrical Connection.....NEMA 15 Receptacle

IONIZATION TUBE

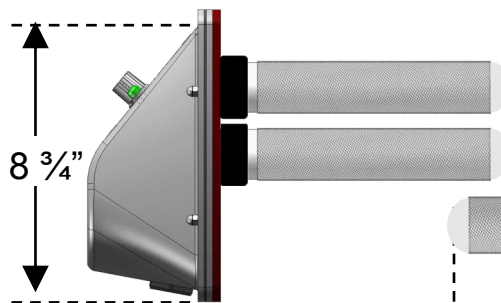
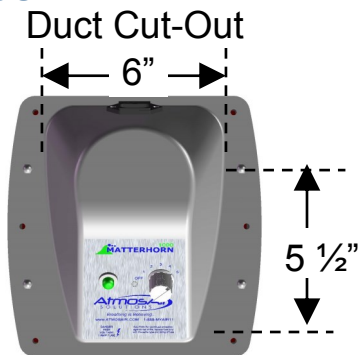
Material.....Multi-core Composite, Stainless Steel
 Number.....Two (2)
 Size.....C (7") D (9.5") E (14") F (21")
 Tube Life.....17,600 Hours*
 *dependant on conditions and annual tube cleaning

DIMENSIONS.....see Figure 2

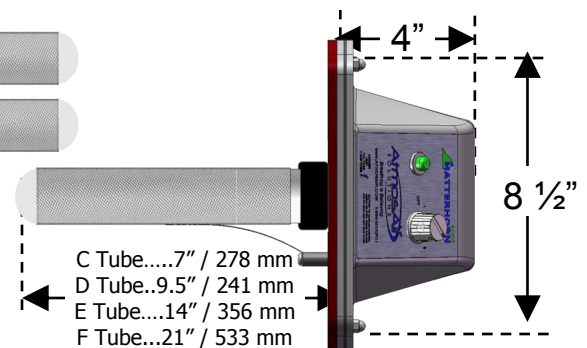
APPROVALS

Underwriters Laboratories Inc. pending as plenum-rated per UL 1995, 867; file # 313742. Energy Star Certified.

FIGURE 2



Dimensions



APPLICATION

The Matterhorn 1000 ionization system is intended to be mounted in the supply duct or air handler of a heating, cooling, or ventilating system. The unit is intended to operate only when air flow is present, thus, power to the ionization unit should be interlocked with fan operation, or controlled via an air pressure switch. The size and number of ionization systems is dependant upon the airflow, size of the space, and severity of the pollution and odors. Ionization can be adjusted with a 5-step knob.

OPTIONAL ACCESSORIES

Air Pressure Switch; Mounting Bracket; Timer; Remote Monitoring Panel

FIGURE 1

Pressure Drop vs. Duct Velocity

