

TE125 On/Off LCD Electronic Thermostat with higher temperature range and single speed fan switch 24Vac

Description

Two position on / off, electronic room thermostat with digital display and set point adjustment. It is suitable for controlling a single speed fan with an On/Auto switch as well as controlling two heating valves in sequence or one cooling valve, or other two position device. It maintains the room temperature with a Heat/Off/Cool switch which selects the valve into heating or cooling mode. In the off position the valve and the fan will be switched off. Jumper selectable between °C & °F scales. Optional remote sensor.

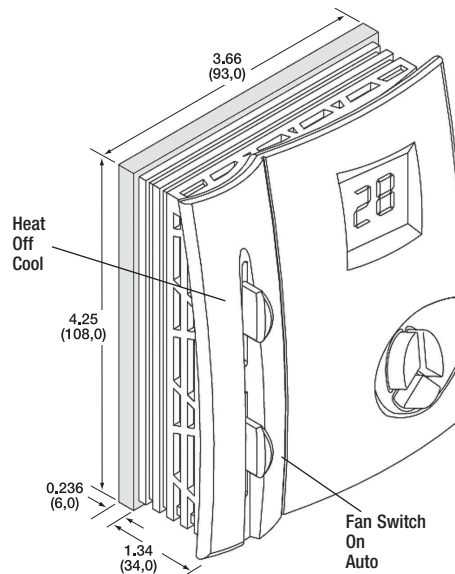
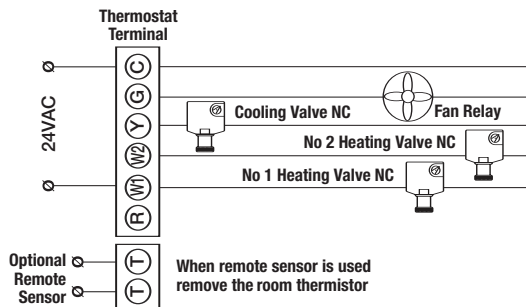
Specifications

Operating voltage:	24Vac, 50/60Hz, +/- 20%
Power consumption:	Maximum 3Va
Control output:	24Vac, 5Amp
Switching:	1 °F (0.5 °C)
Sensing Element:	NTC Thermistor
Connection terminals:	Use solid wire 22 AWG to 14 AWG
Digital Display:	Temperature in °C or °F, set point, heating or cooling output
Set point range:	68-130°F in 1°F resolution 20-55°C in 0.5°C resolution
Operating temperature:	32-130 °F or 0-55 °C, < 95% RH
Housing cover/base color:	Cover white, base grey
Wall mounting plate:	Color white, mounting holes for European and North American standards, fits 2 x 4 electric box
Shipping weight:	0.5Lbs (0.225 Kg)
Agency approval:	Conforms to CE requirements Class 2 as per UL/CSA

Quality, affordable electronic room thermostat with digital display from Spartan



Wiring Diagram

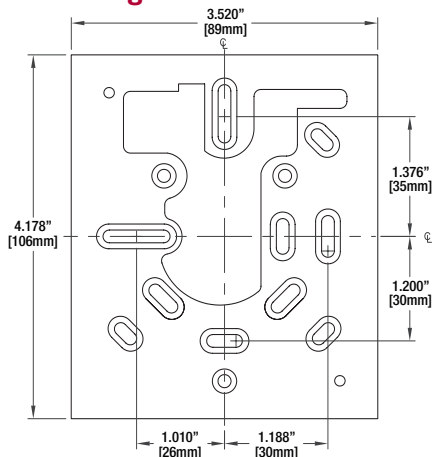


Changing the Set Point

To change set point use the increase or decrease keys. LCD display will illuminate after pressing hand key.

- When the thermostat is in heating mode a thermometer will appear in the display. It will flash when there is a demand for heat.
- ❄ When the thermostat is in cooling mode a snow flake will appear in the display. It will flash when there is a demand for cooling.

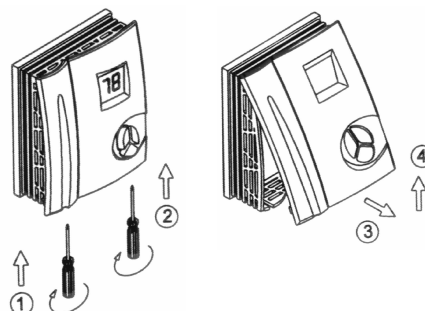
Mounting Dimensions



Cover Removal

TE125 Cover Removal Instructions

To remove the cover simply remove the screws at the bottom of the unit with a screwdriver (1 and 2). The cover then is removed by pulling it out and then up (3 and 4).



Disclaimer:

The installation and service should be performed by trained personnel. To avoid electric shock ensure the electrical source is switched off.

Installation:

Thermostats can be installed on a standard 20-20 2X4 electric box, or directly on the flat wall surface, and away from the heat source.

Do not expose to water.