

Caution: Turn off TS030Y and any electrical device (e.g. TS010Y), which will be connected before installation. It is highly recommended that the installation be done by trained personnel

A. Installation, Mounting

1. Installation Location:

The thermostat should be restricted to indoor use only. It should be mounted on an inner wall about 60”(1.5m) above the floor at a position where it is readily affected by changes of the general room temperature with freely circulating air. Avoid mounting it near hot surfaces (e.g. TV, heater, refrigerator etc.) or exposing to direct sunshine, equipment radiation. Do not expose the unit to dripping or splashing.

2. Mounting : As shown in schematic

i. Remove cover

-- Loosen the screws (1) & (2) at the bottom. No need to remove the screws.
-- Remove the top cover swing bottom carefully forward (3) and then upward (4) to loosen the top locks.

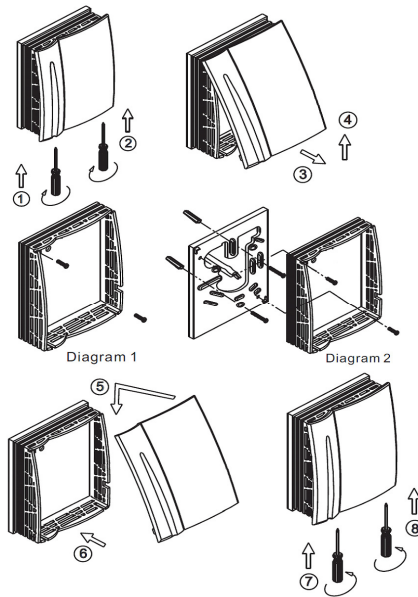
ii. Mounting without bottom plate (diagram 1)

-- Ensure the surface is level.
-- Place the cables at the hole near the terminal block.
-- Insert 2pcs of wall anchors in the wall.
-- Fasten the thermostat with the 2pcs of long screws through the 2 mounting holes.

iii. Mounting with bottom plate (diagram 2)

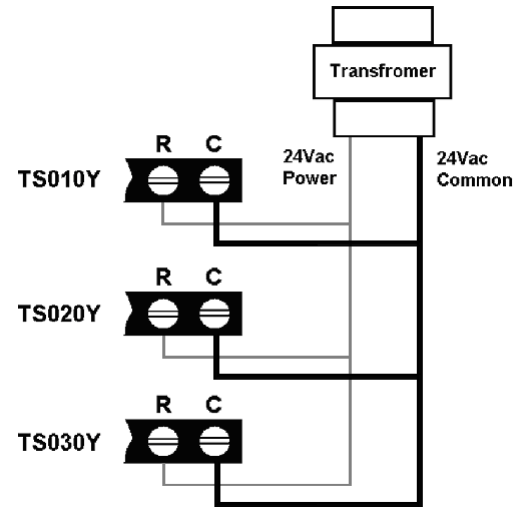
-- Adjust the bottom plate on the wall or junction box and ensure the plate is at surface level and cover the junction box.
-- If necessary, pull the cables out of the middle hole of the bottom plate.
-- Place the 2pcs of wall anchors in the wall if necessary.
-- Fasten the plate with the 2pcs of long screws.
-- Place the cables at the hole near the

- terminal block.
- Fasten the thermostat with the 2pcs of screws through the 2 mounting holes.
- iv. **Electrical Connection**
- Wire the proper cables at the terminal block according to the wiring diagram attached inside the top cover.
 - Afterward, push all cables back into the wall.
 - We recommend adding a fuse or protective device in the live circuit.
- v. **Install the cover**
- Place the cover in direction (5) and ensure the top is hooked into position.
 - Place the cover in direction (6). Fasten the cover with 2 screws (7) & (8) to lock the cover in position. No need to over tighten.

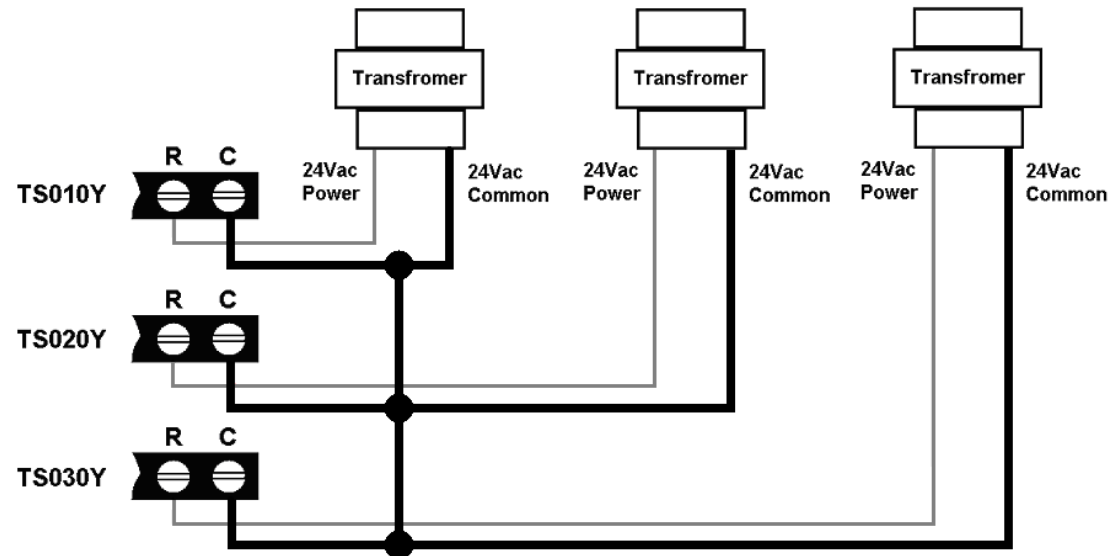


B. Connection Between TS010Y, TS020Y and TS030Y

The C terminals “24Vac Common” of all devices must be connected to each other. Otherwise communication failure may occur.

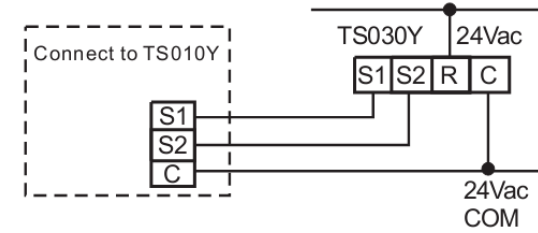


Single transformer system



3 transformers system

Please connect TS030Y with TS010Y as the following diagram:



**If installed two TS030Y for multiple humidity sensing, set the jumper setting on PCB is required to select the unit number 1 or 2. The unit number must not be the same. Please reset TS030Y after changing the unit number.

C. Technical Data

- Humidity measurable range: 25-95% RH
- Humidity resolution: 1% RH
- Supply voltage: 24Vac 50/60Hz
- Operating temperature: 0-55°C